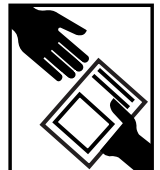
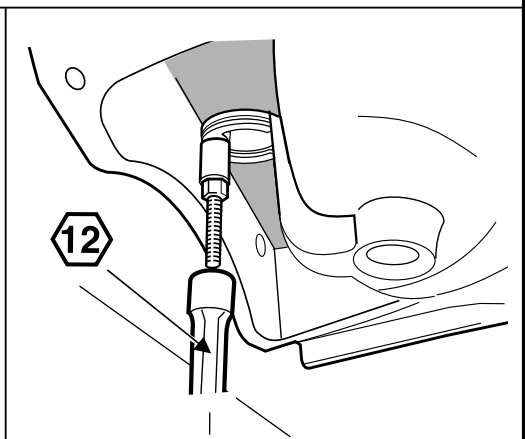
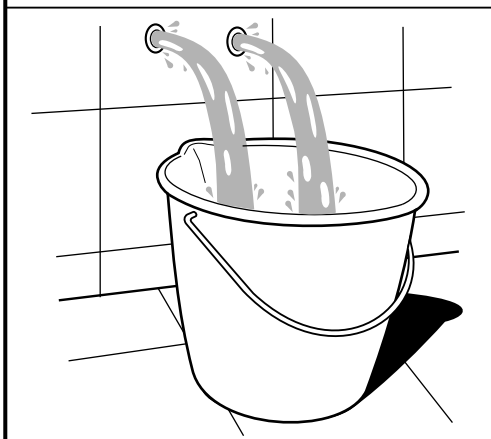
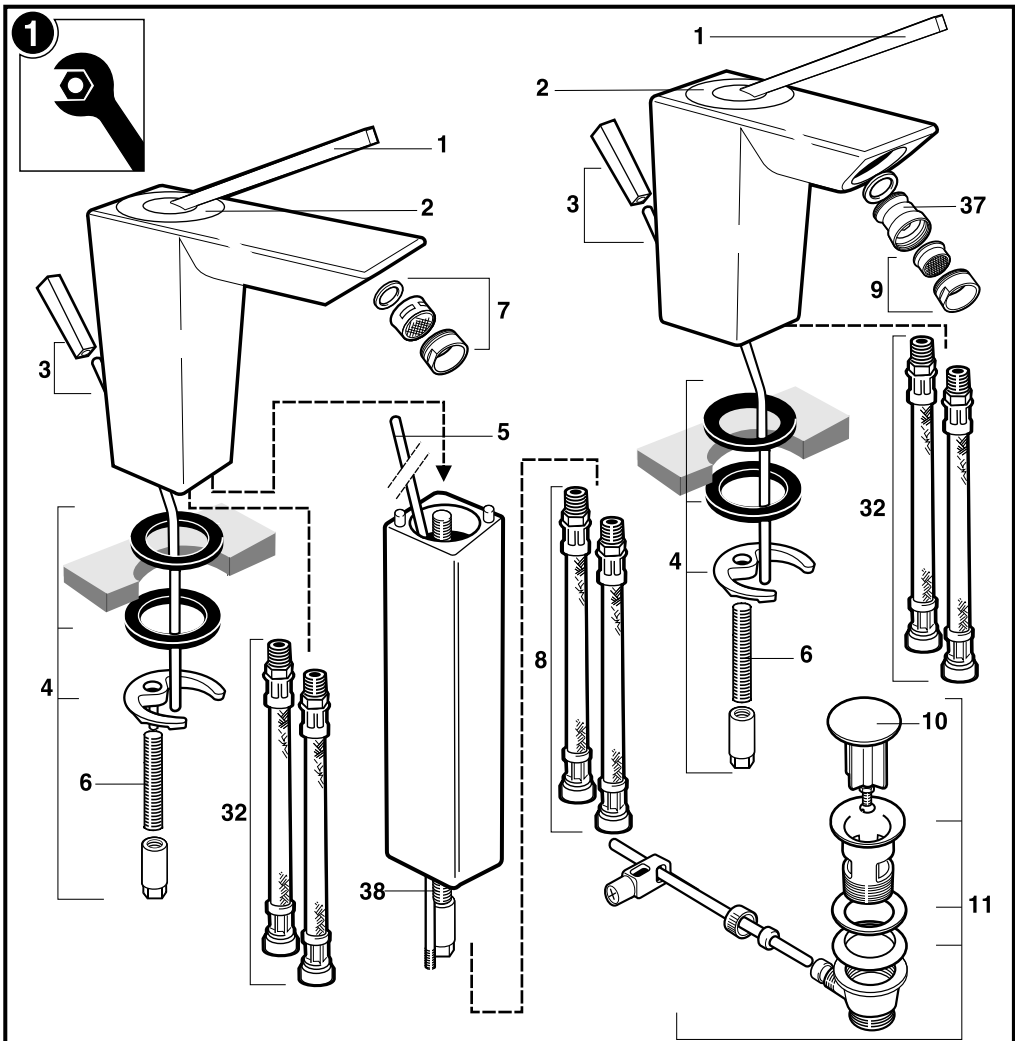


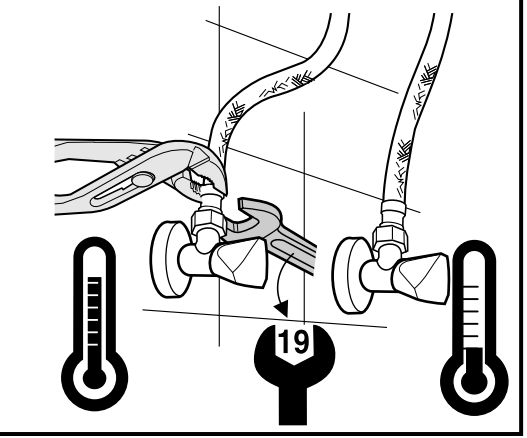
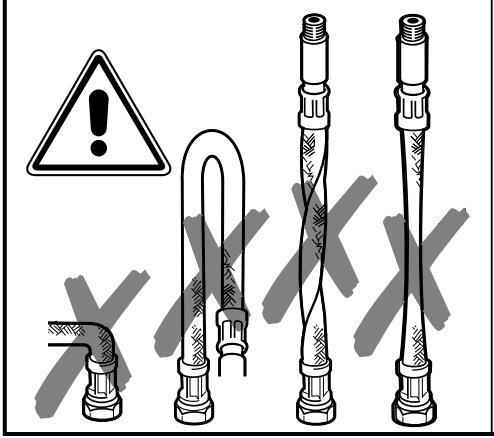
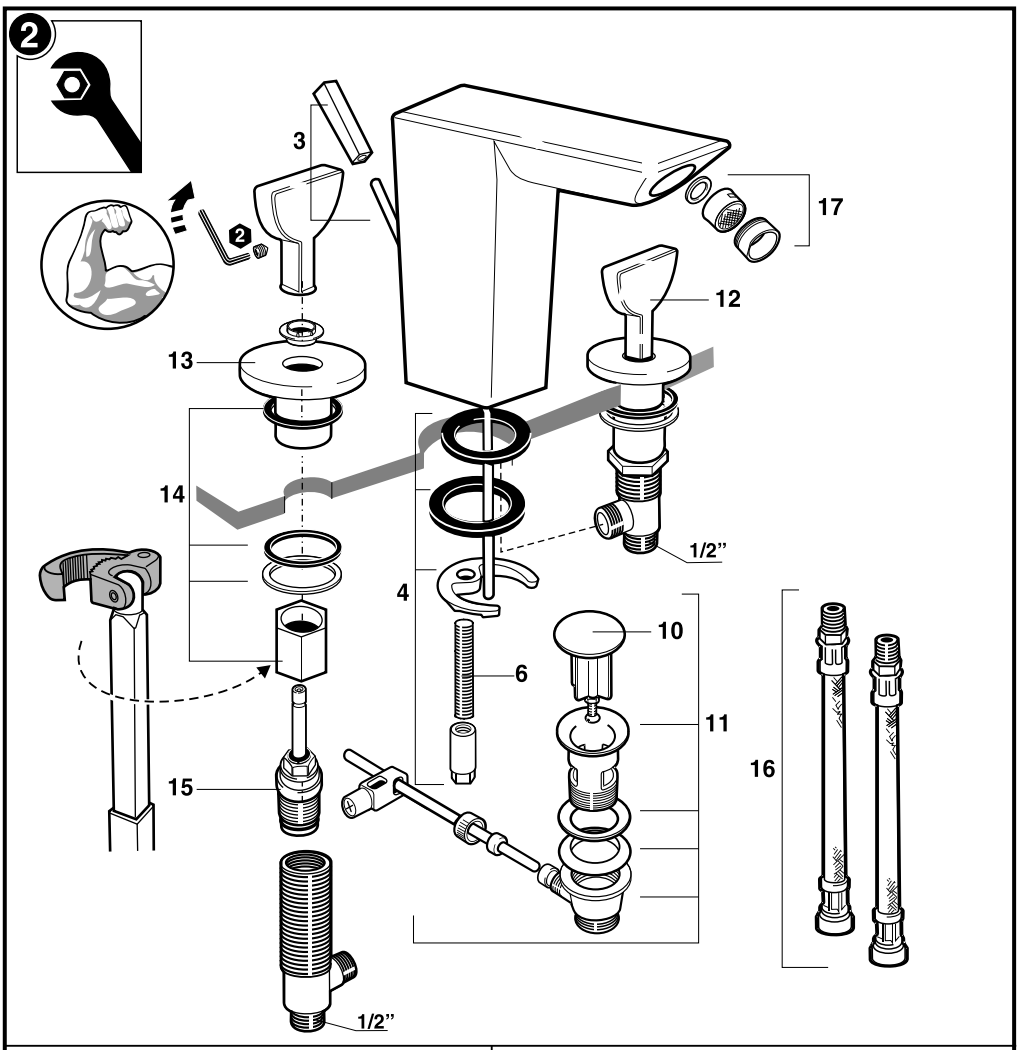


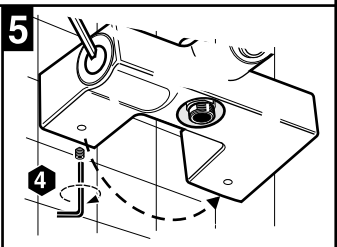
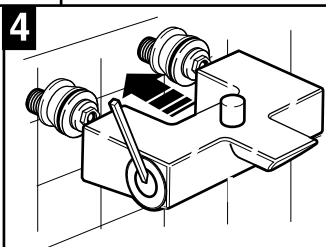
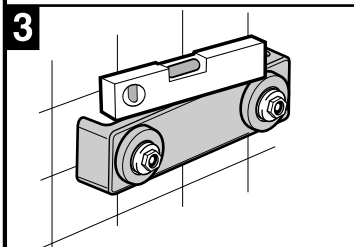
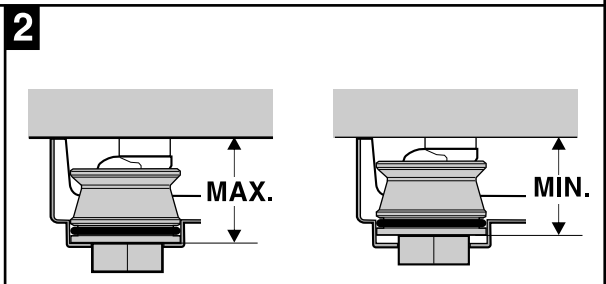
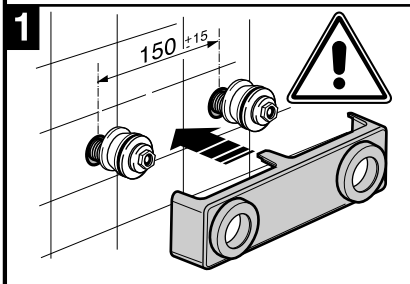
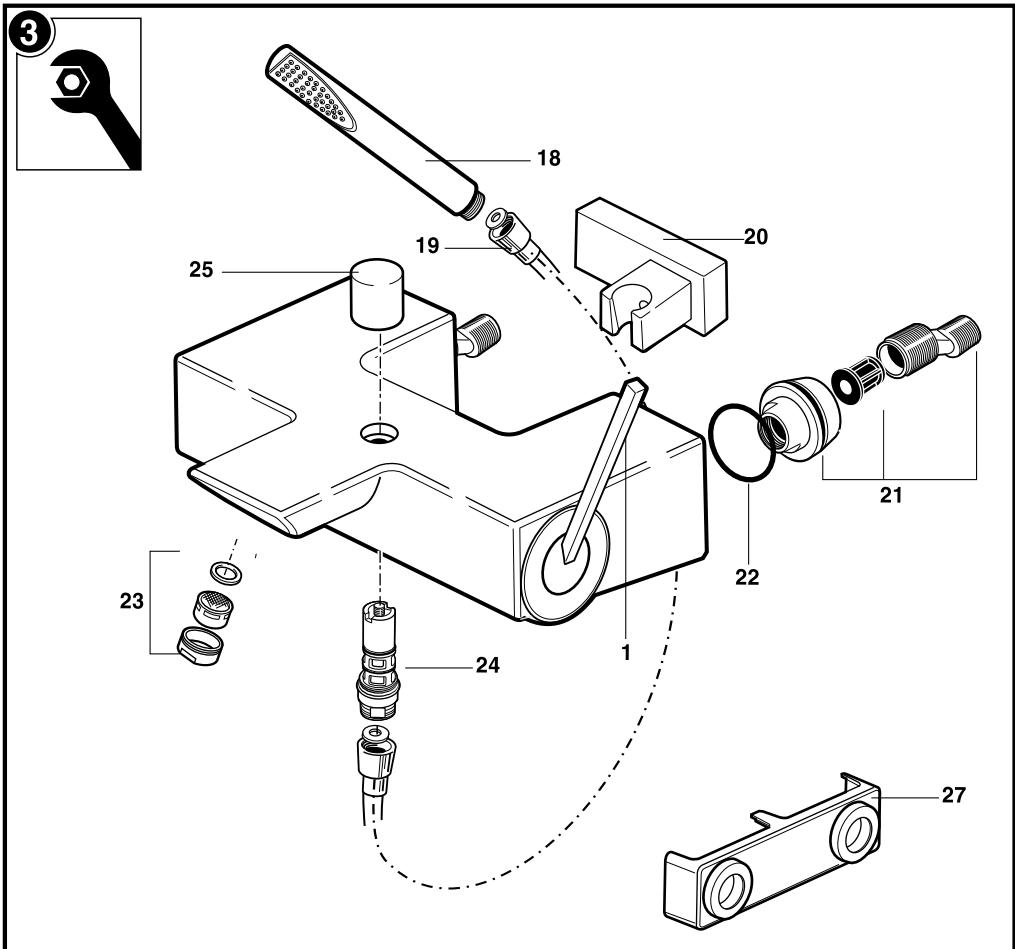
**Roca**

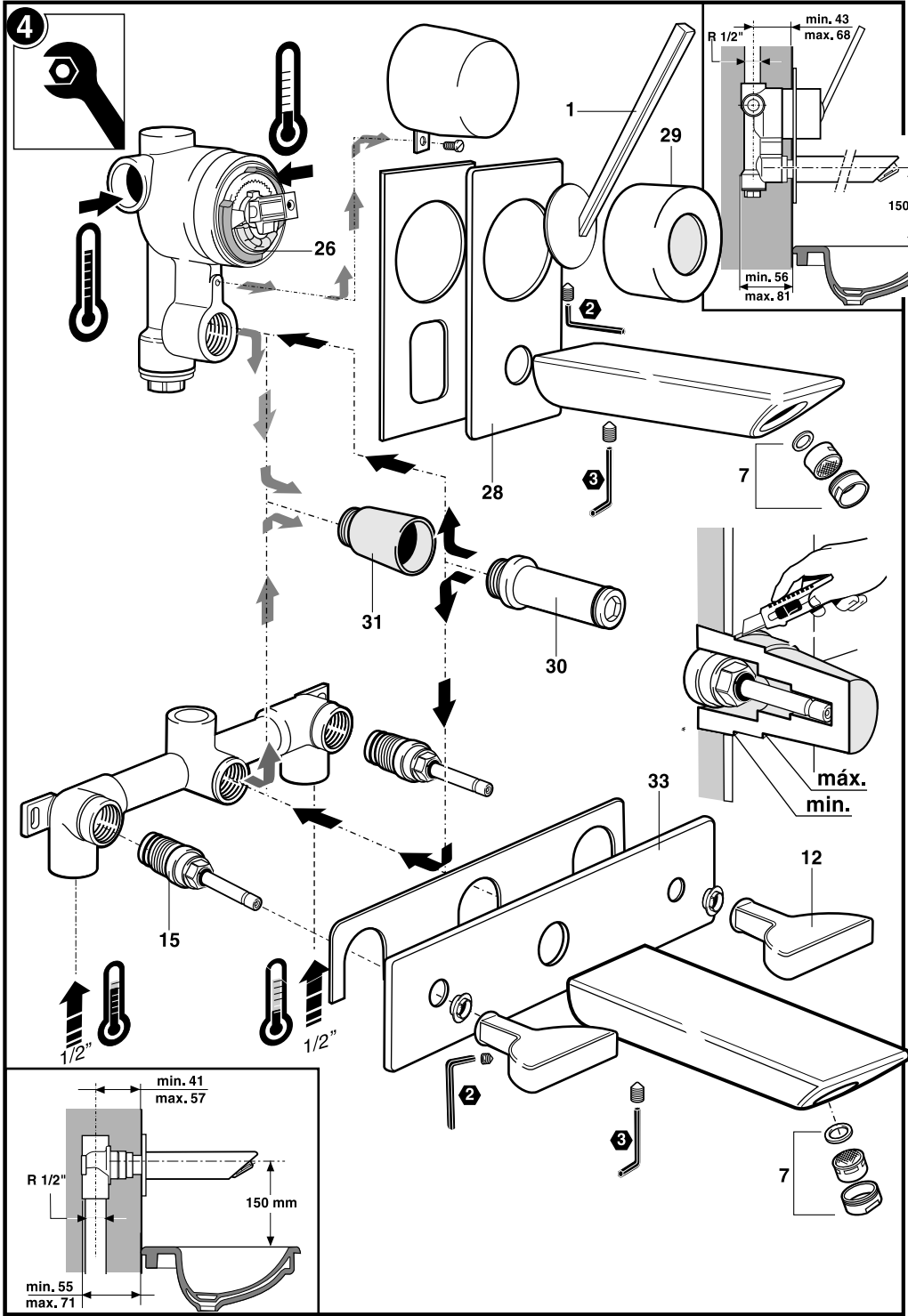
# TOUCH

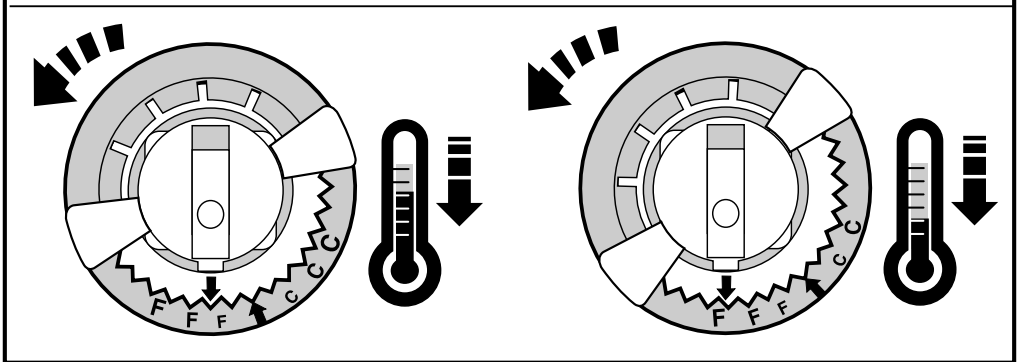
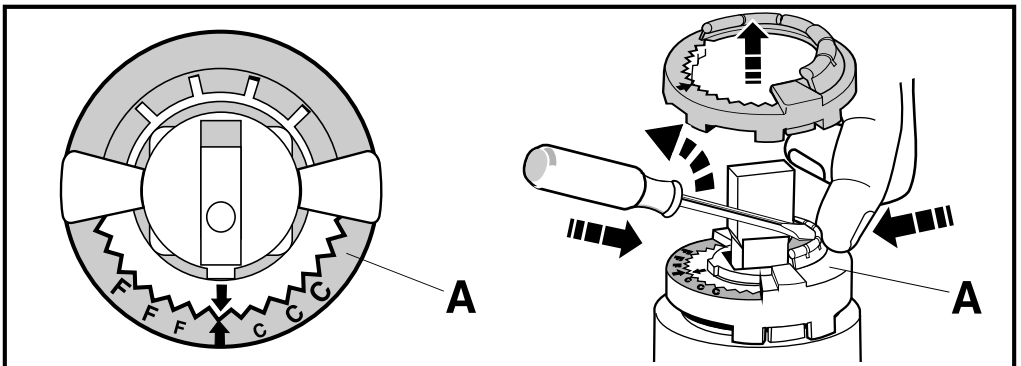
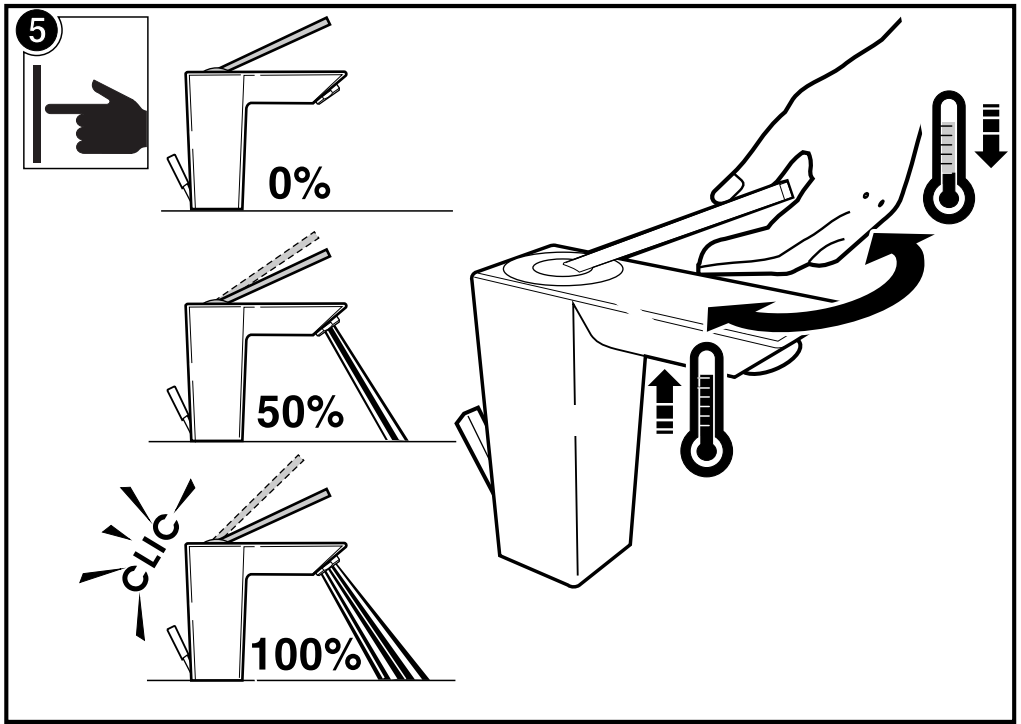


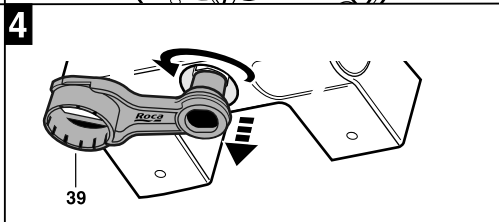
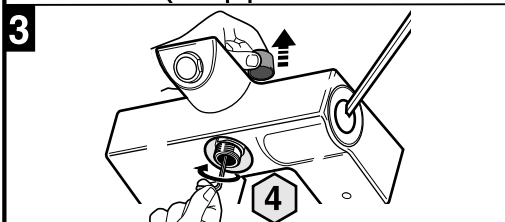
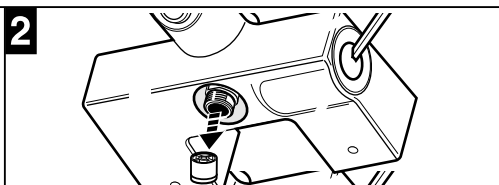
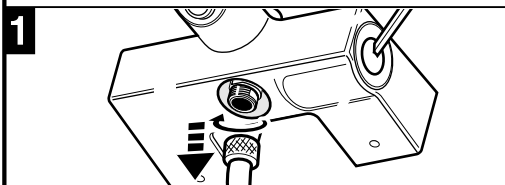
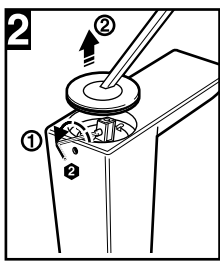
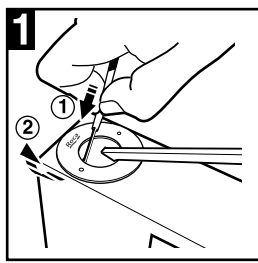
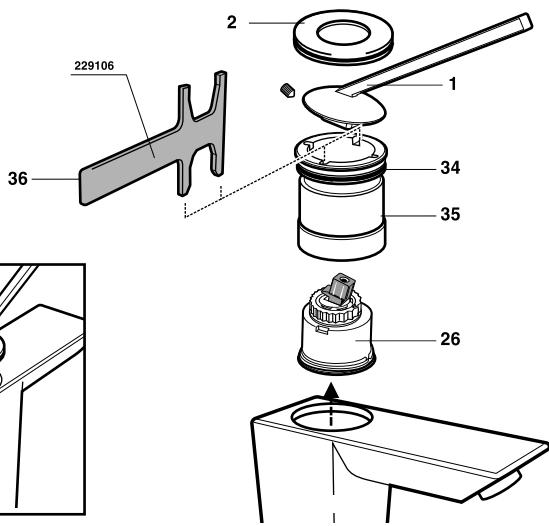
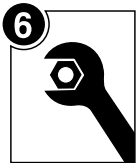












**P**

P  
bar

0,5      MAX. 10

1      5

**T**

°C

80 MAX.

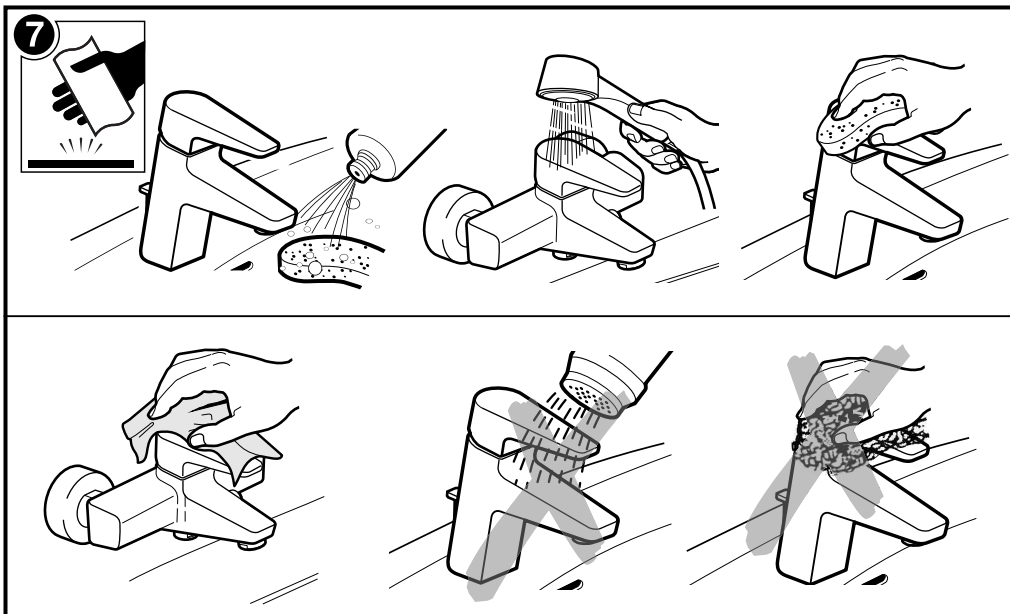
65  
45

**Q**  
(3 bar)

l/min

12

20



1 - 525839800  
 2 - 524812400  
 3 - 525768000  
 4 - 525767803  
 5 - 525768300  
 6 - 522665103  
 7 - 525390100  
 8 - 525769609  
 9 - 525391100  
 10 - 525001800

11 - 525437100  
 12 - 524527100  
 13 - 542816700  
 14 - 525768103  
 15 - 525159203  
 16 - 525769309  
 17 - 525385700  
 18 - 5B9047C00  
 19 - 525765000  
 20 - 505715400

21 - 525553103  
 22 - 553350807  
 23 - 525390200  
 24 - 525159100  
 25 - 523542100  
 26 - 525081303  
 27 - 524880107  
 28 - 524813400  
 29 - 542816500  
 30 - 542670303

31 - 523007607  
 32 - 525761409  
 33 - 524812500  
 35 - 522634603  
 36 - 522910603  
 37 - 525391100  
 38 - 522665803  
 39 - 523910107

**Roca Sanitario, S.A.**

Avda. Diagonal, 513  
 08029 Barcelona SPAIN  
 Teléfono 93 366 1200  
 Fax 93 419 4501  
[www.roca.es](http://www.roca.es)