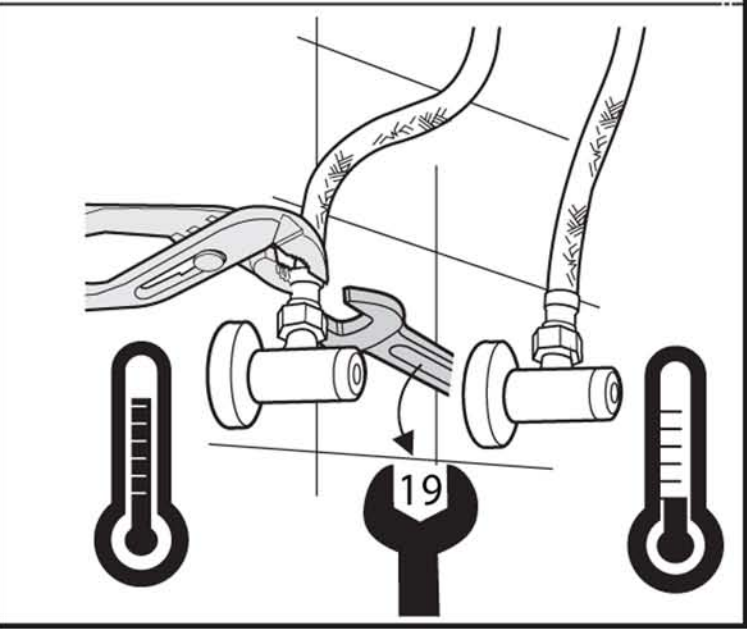
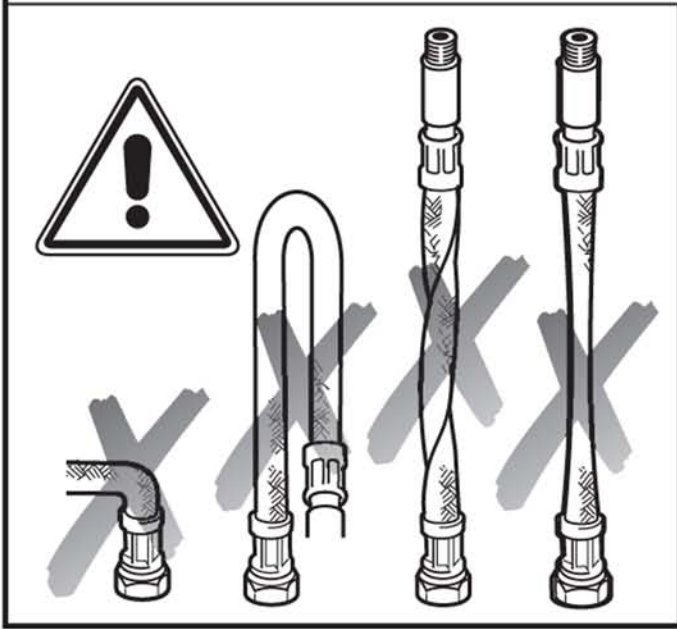
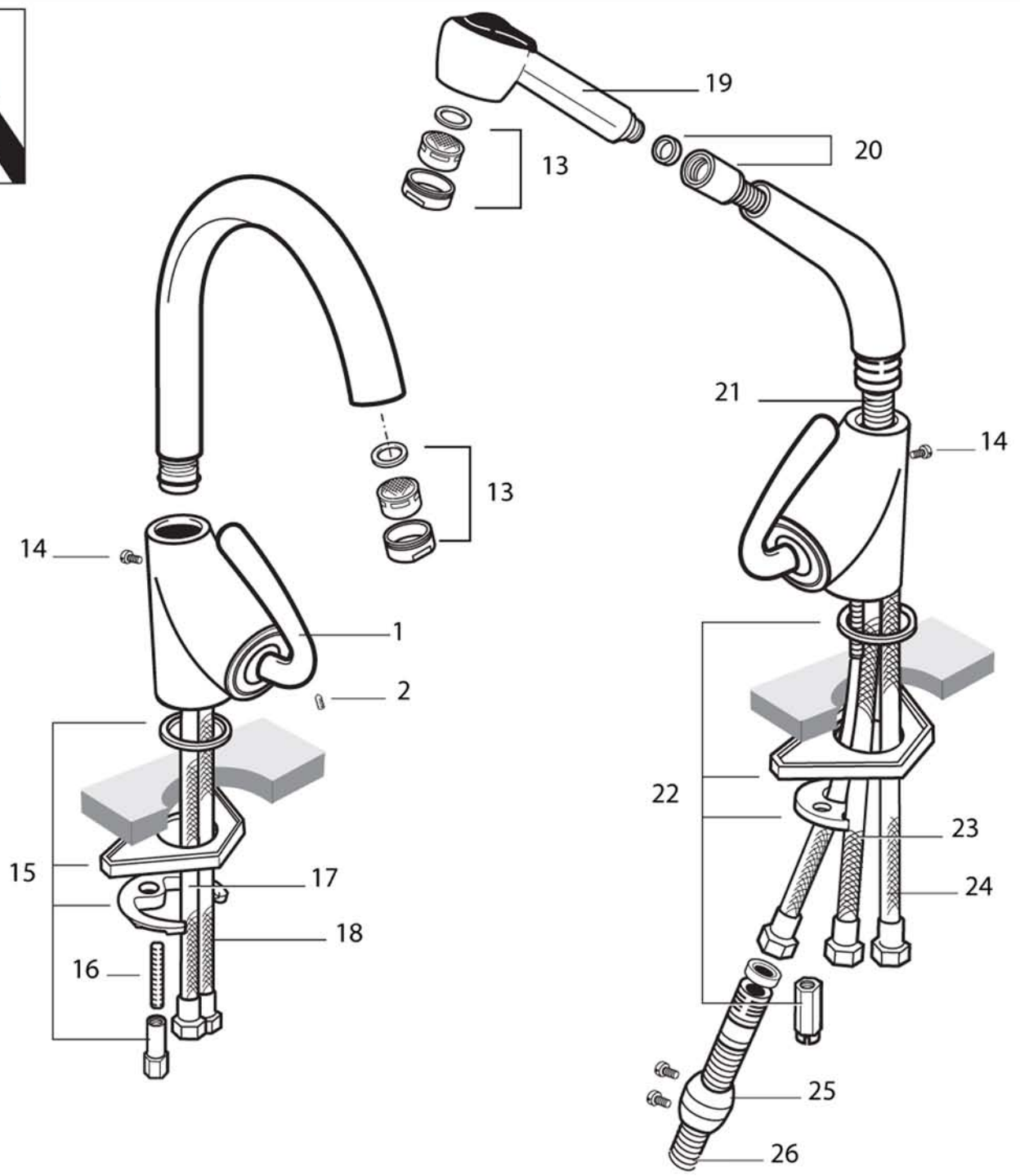


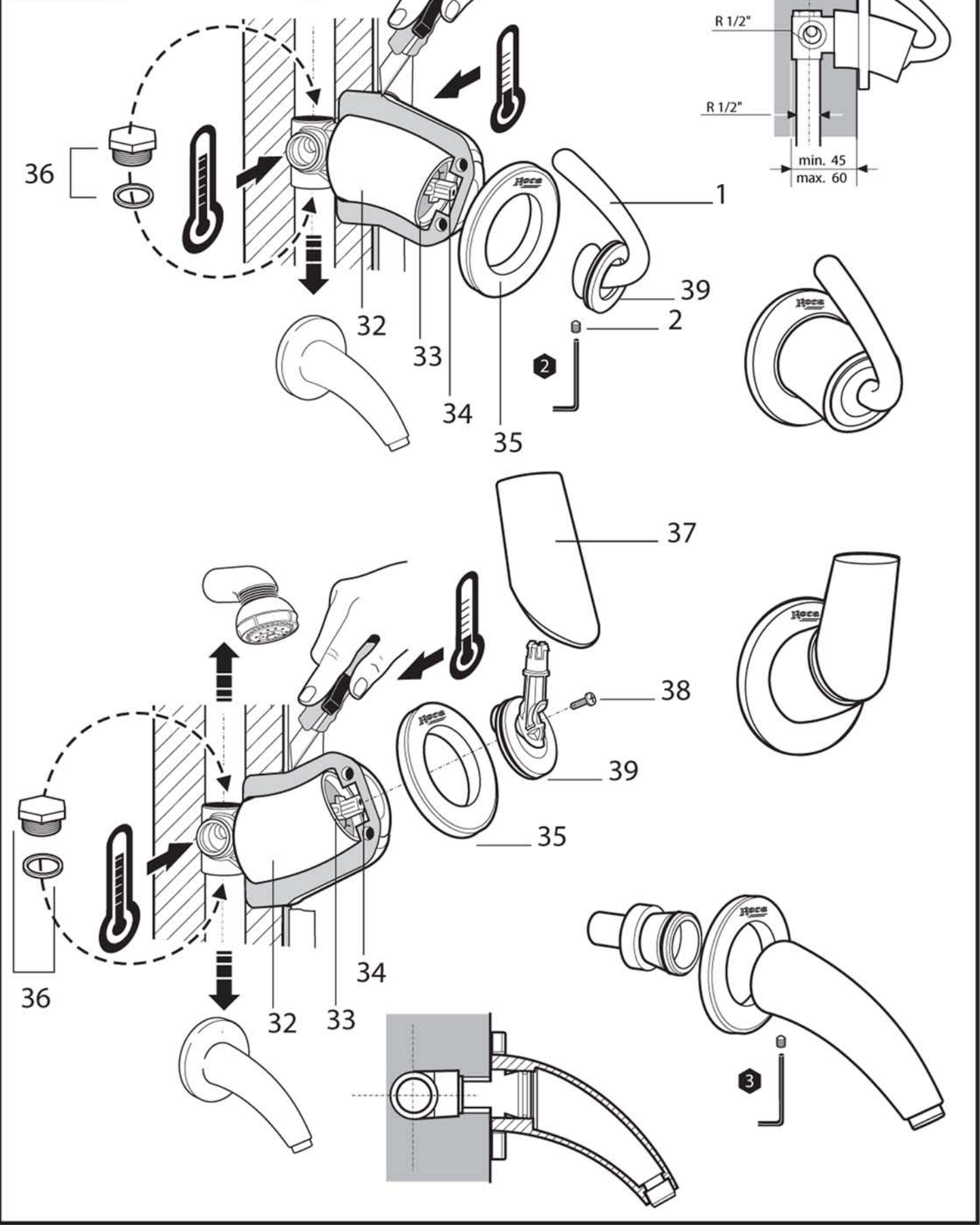


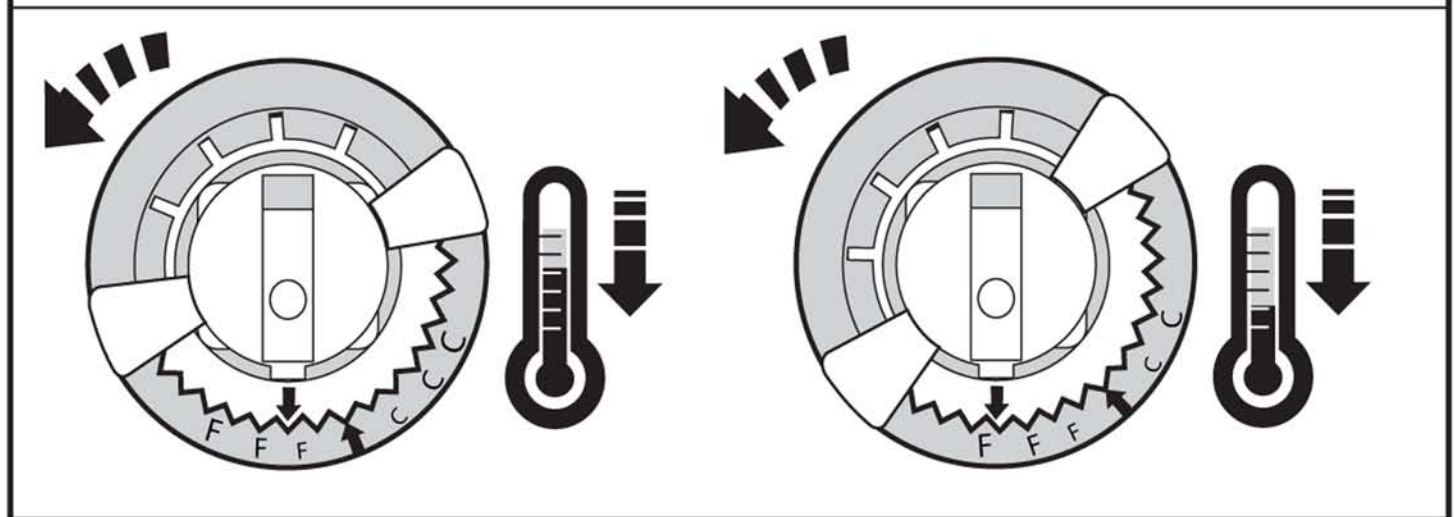
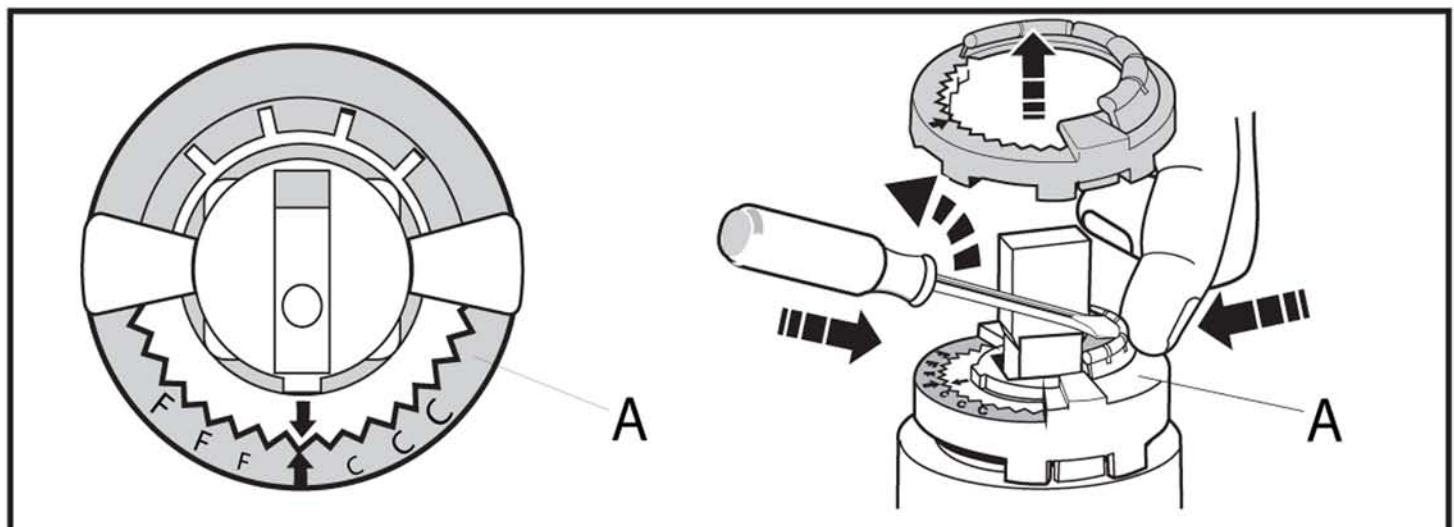
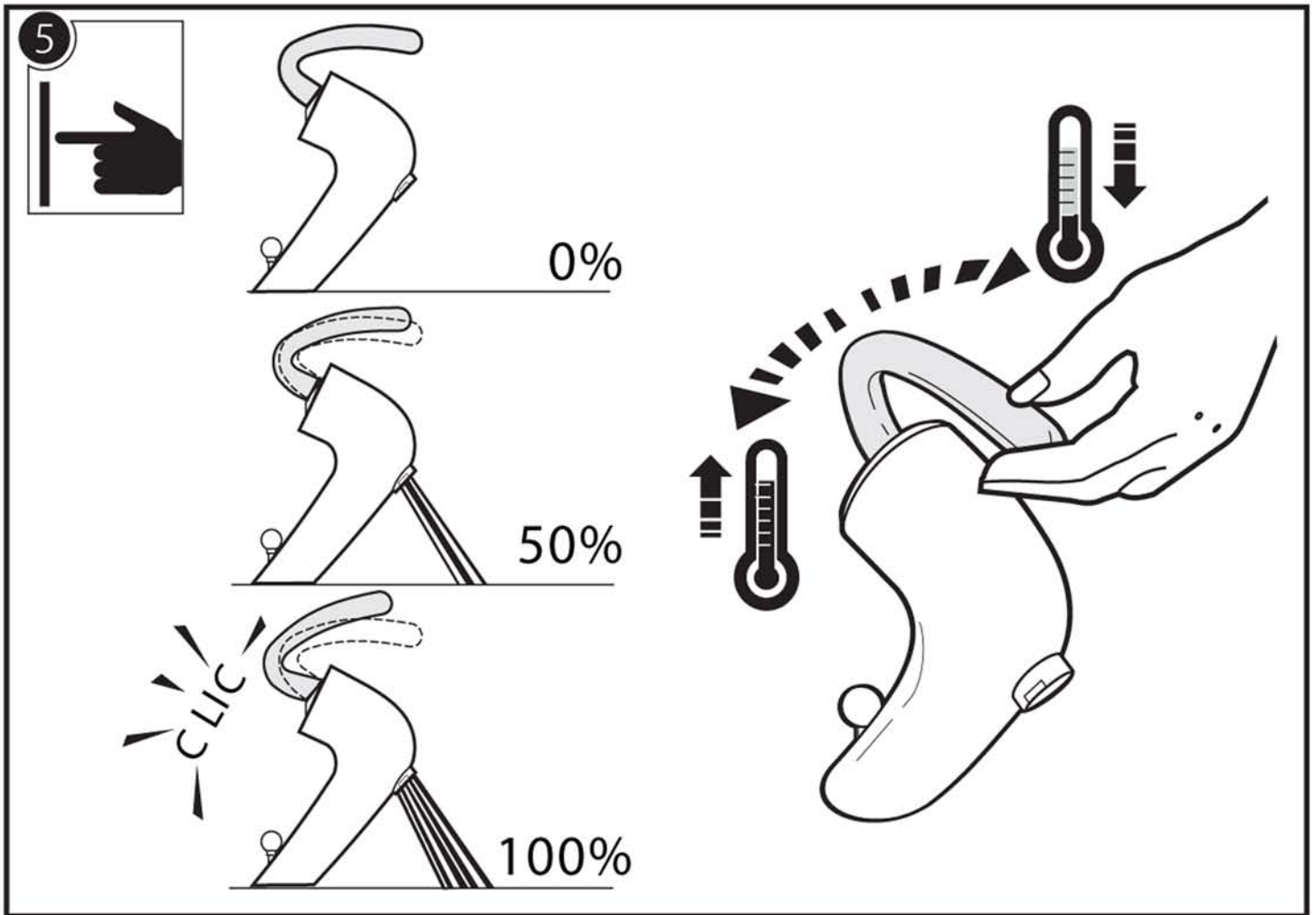
Roca

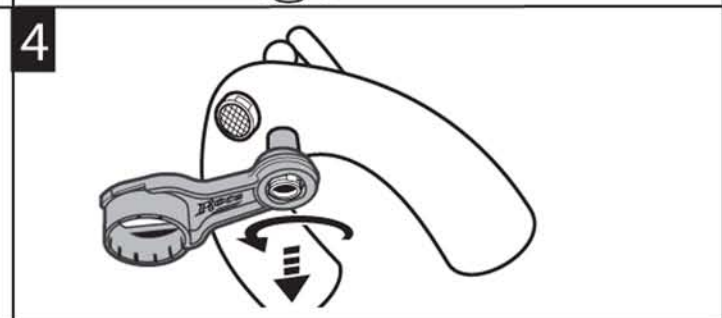
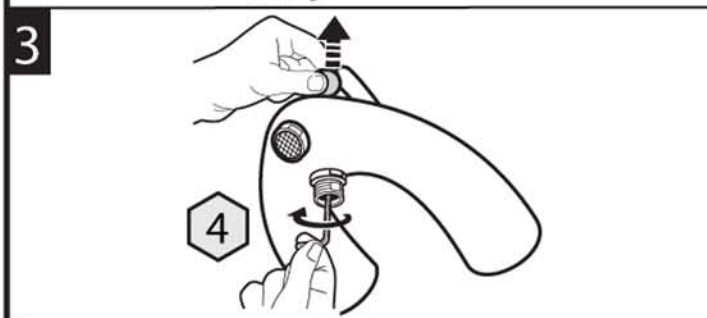
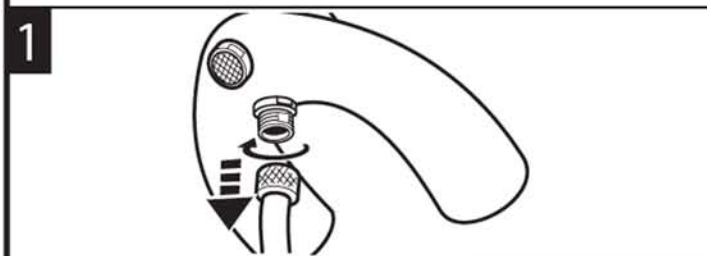
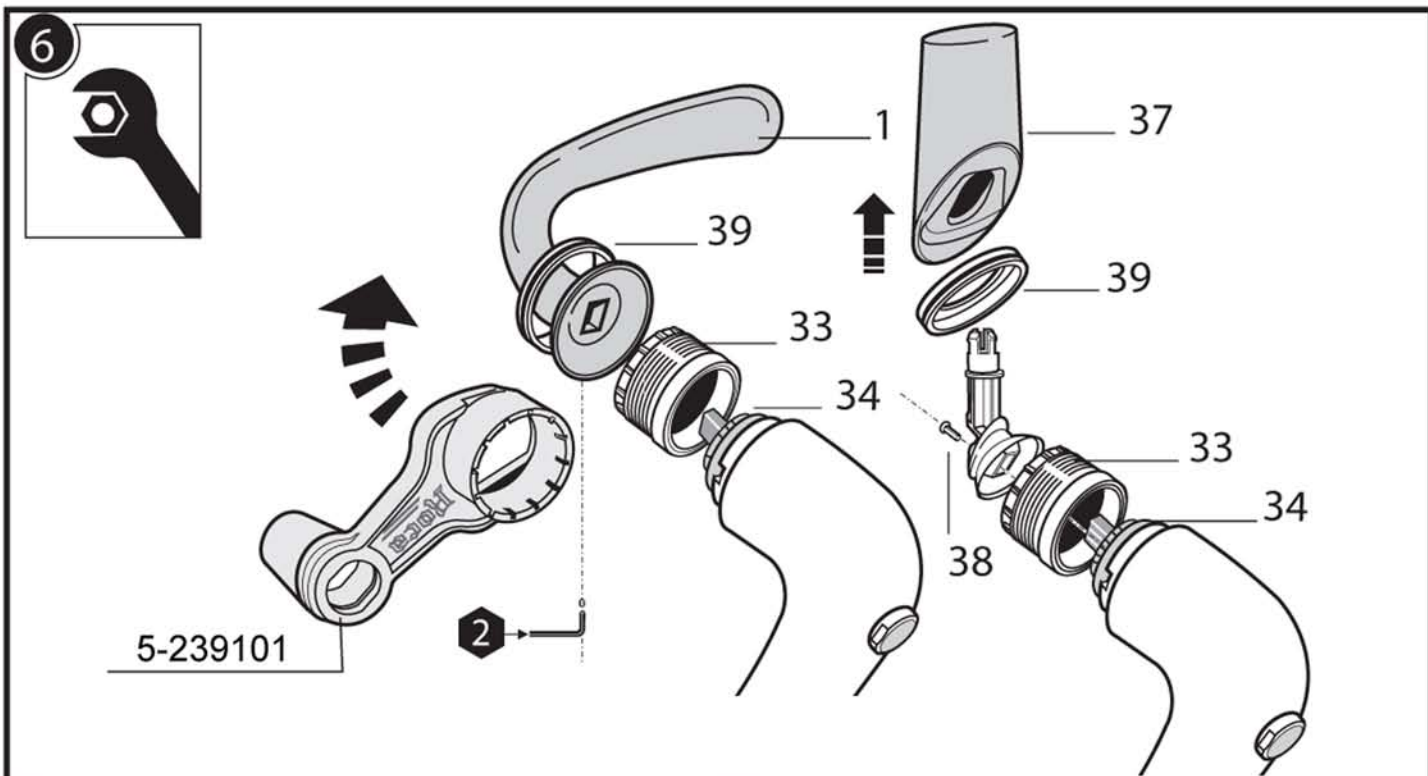
SIL VER SHADOW / CROWN
SIL VER SPIRIT



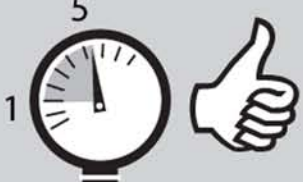




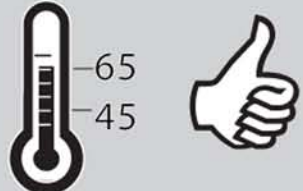

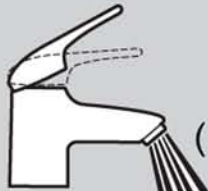
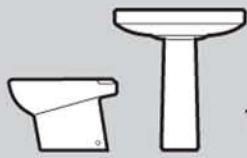



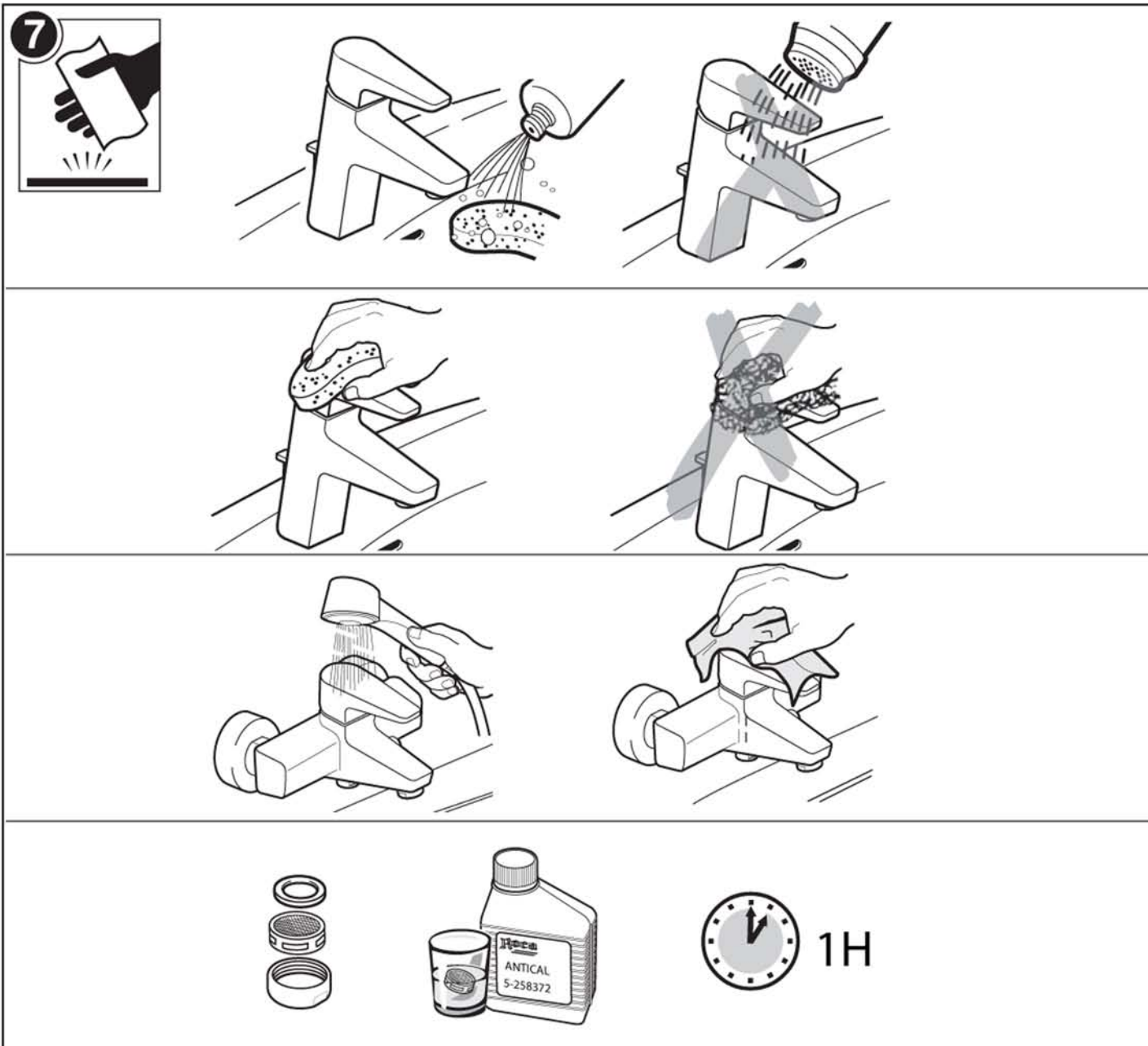








 P	P bar	 0,5 MAX. 10	 1 5 
  T	°C	 80 MAX.	 65 45 
 Q (3 bar)	l/min	 12	 20



1 - 525839700
 2 - 522665203
 3 - 525390100
 4 - 522542200
 5 - 522472819
 6 - 525766703
 7 - 522664003
 8 - 525761409
 9 - 525001805
 10 - 525390000
 11 - 525552900

12 - 525390000
 13 - 525390200
 14 - 522626303
 15 - 525763903
 16 - 522665603
 17 - 525770009
 18 - 525769909
 19 - 505317507
 20 - 505119507
 21 - 505710300
 22 - 525764303

23 - 525770009
 24 - 525769909
 25 - 505710203
 26 - 525704009
 27 - 525767200
 28 - 525766300
 29 - 525553103
 30 - 525158209
 31 - 522542300
 32 - 542815900
 33 - 523630307

34 - 525940603
 35 - 524812300
 36 - 525839303
 37 - 524526900
 38 - 542621203
 39 - 523530500
 40 - 5B3031C00
 41 - 543359907
 42 - 525552300
 43 - 522665403

Roca Sanitario, S.A.

Avda. Diagonal, 513
 08029 Barcelona SPAIN
 Teléfono 93 366 1200
 Fax 93 419 4501
www.roca.es

Roca