

# Roca

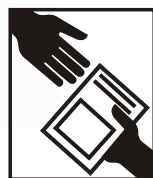
## MOAI

5A4546

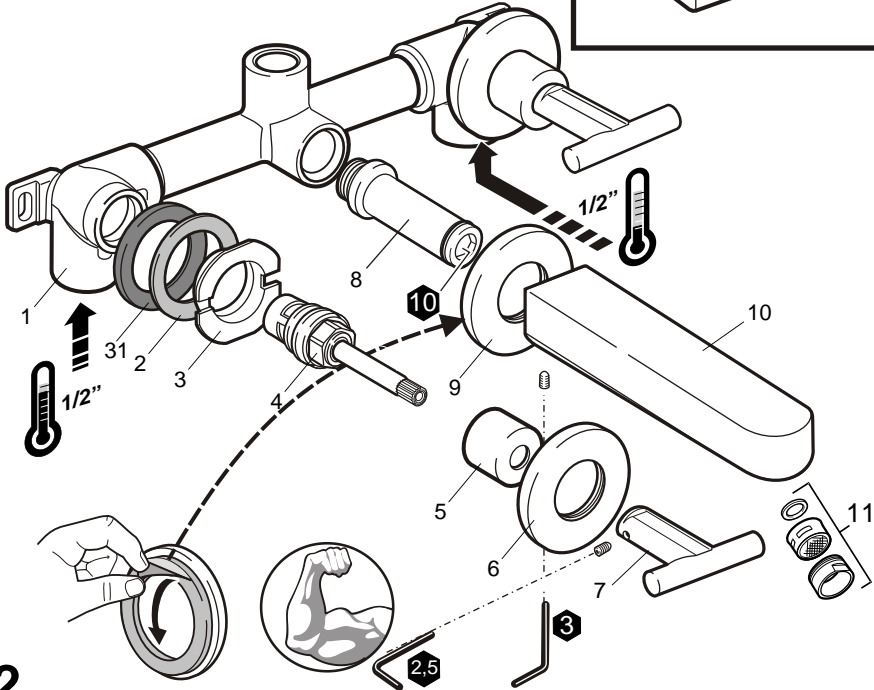
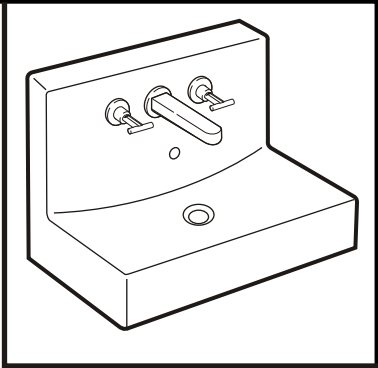
5A4646



## 5A4446

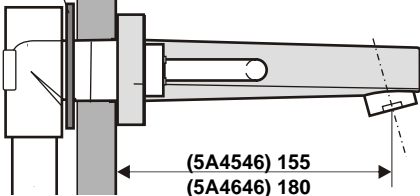


1



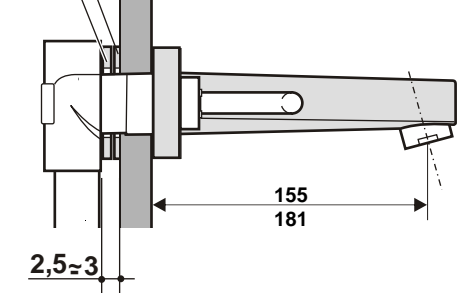
2

max. 16  
min. 10



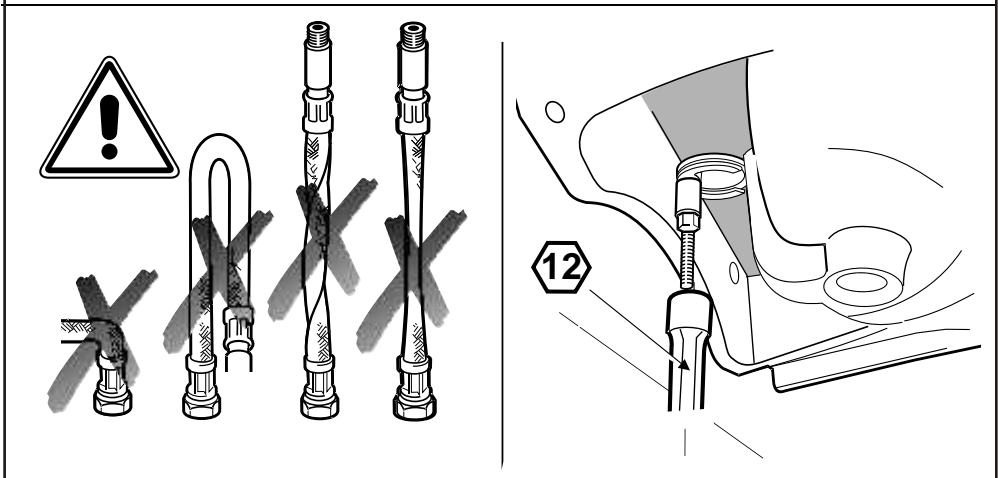
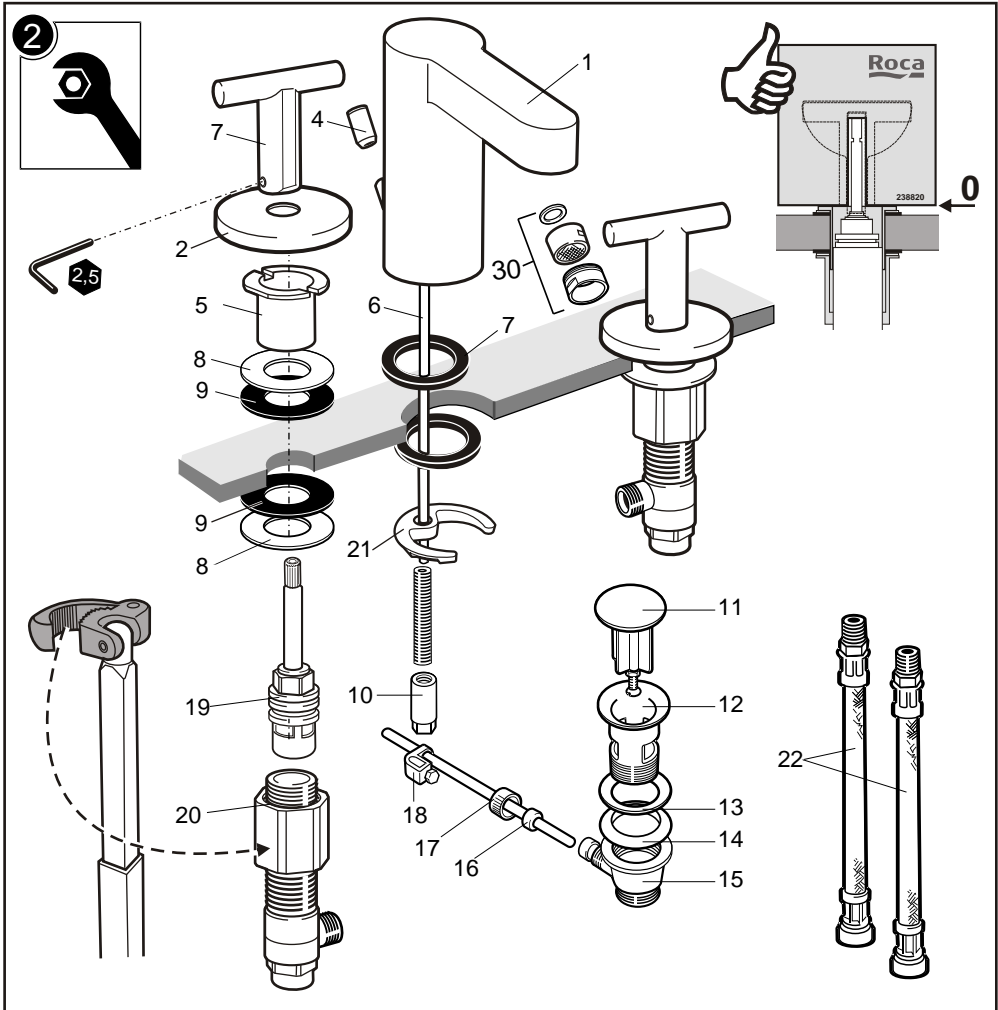
(5A4546) 155  
(5A4646) 180

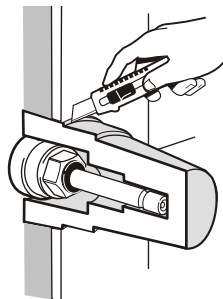
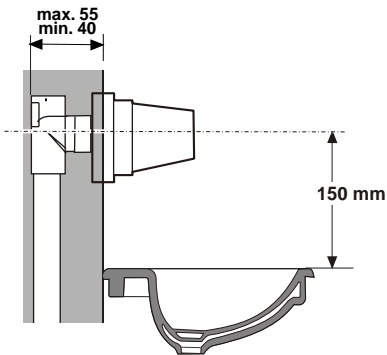
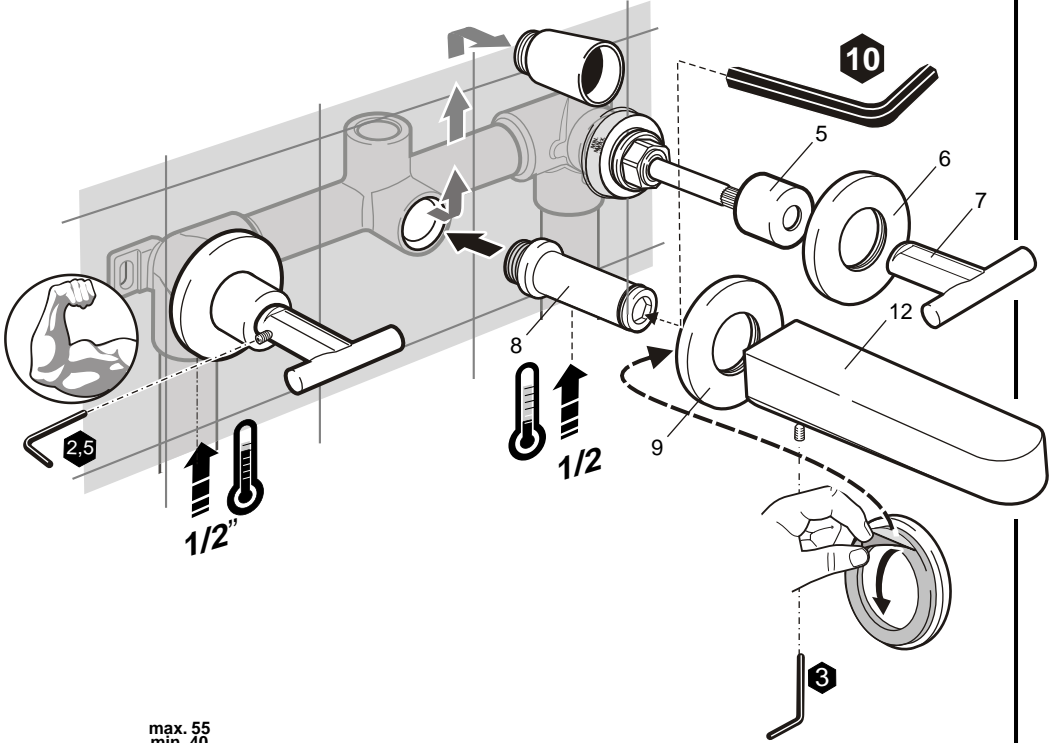
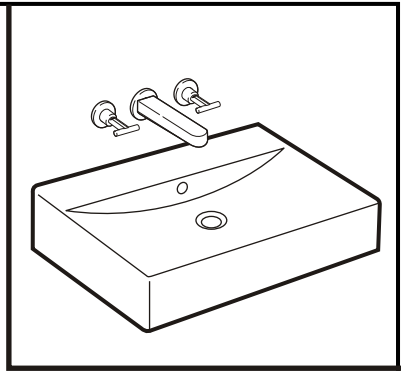
31  
max. 10  
min. 7



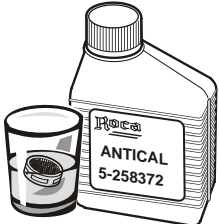
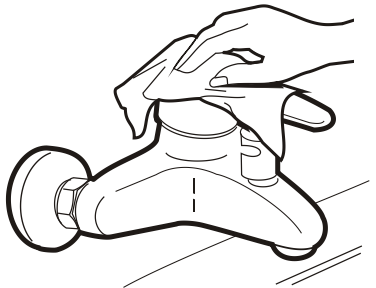
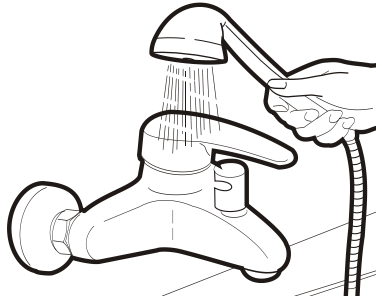
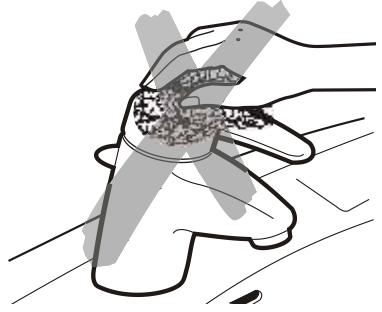
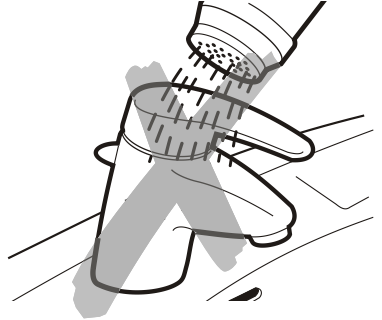
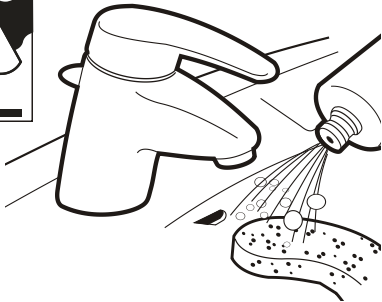
155  
181

2,5-3


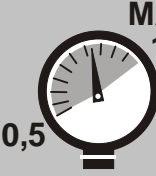







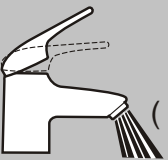
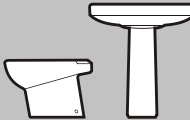




4



1H

|   |                 |   |  |
|---|-----------------|---|--|
|  <b>P</b>  | <b>P</b><br>bar |  0,5<br>MAX. 10 |  1<br>          |
|   <b>T</b> | <b>°C</b>       |  80 MAX.       |  65<br>45<br> |
|  <b>Q</b><br>( 3 bar )  | <b>l/min</b>    |  12            |  |

**Roca Sanitario, S.A.**

Avda. Diagonal, 513  
08029 Barcelona SPAIN  
Teléfono 93 366 1200  
Fax 93 419 4501  
[www.roca.es](http://www.roca.es)

**Roca**