

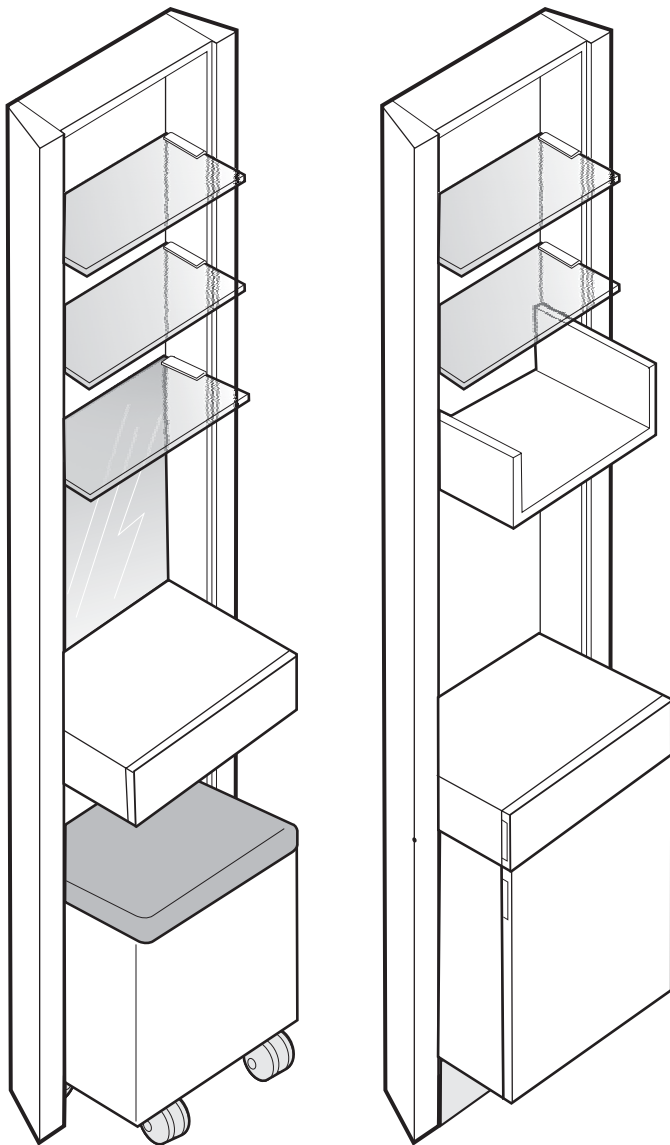


Roca

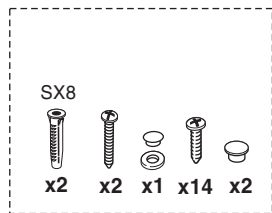
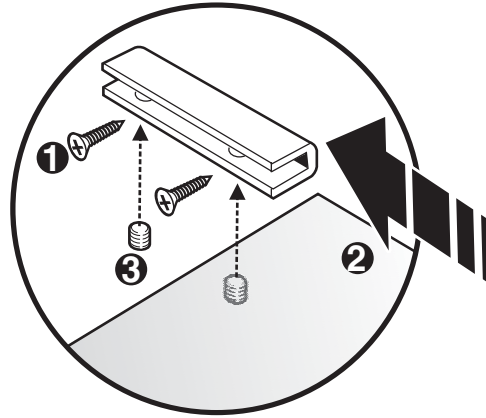
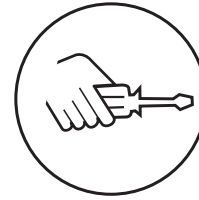
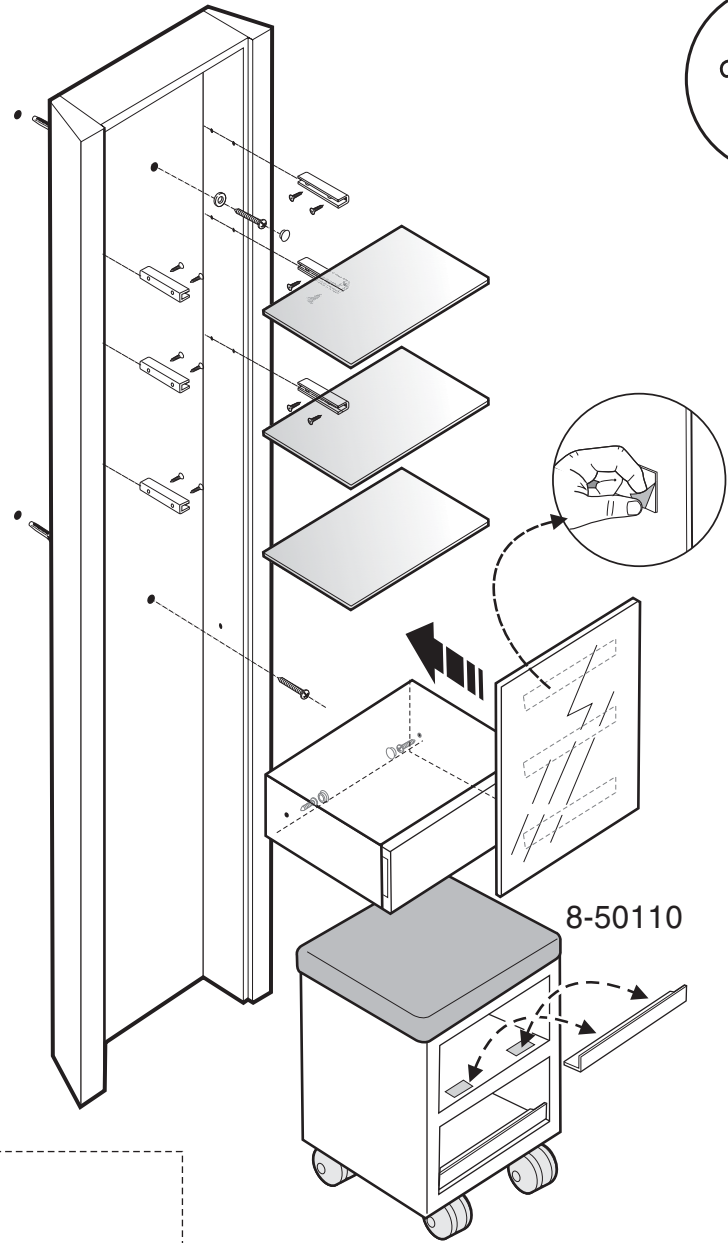
KIVAM

8-50010

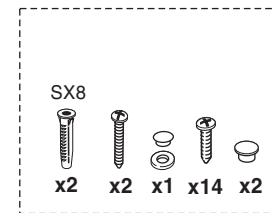
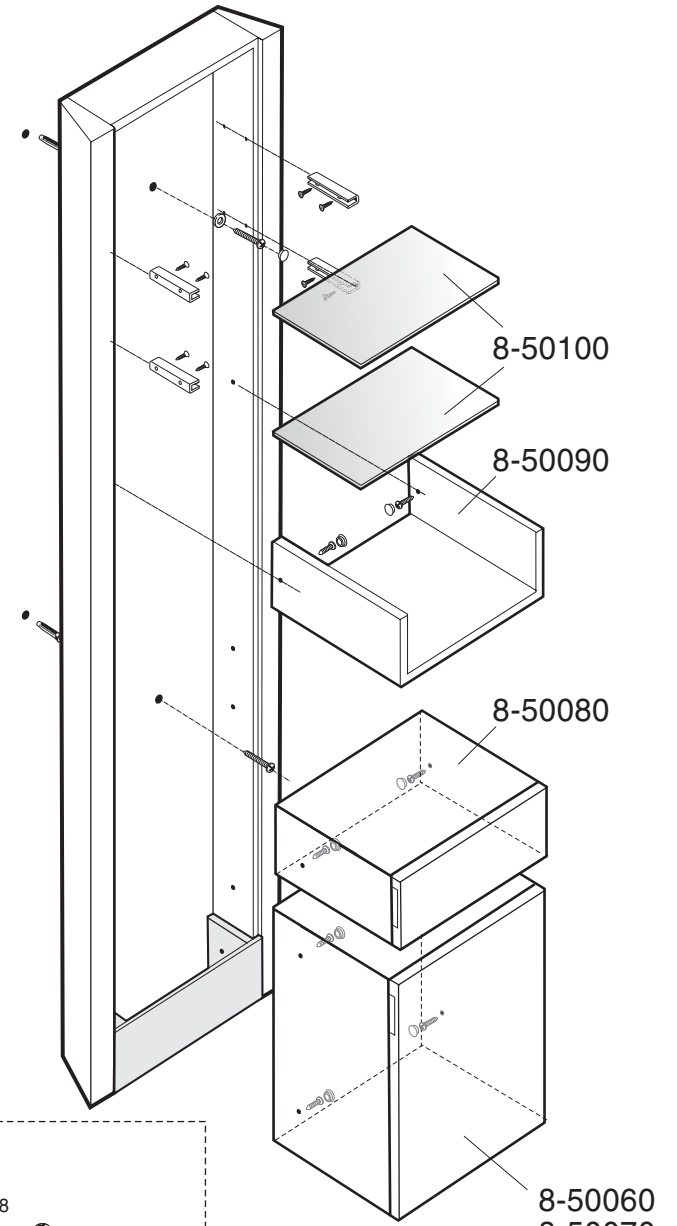
8-50020



8-50020



8-50010



8-50060
8-50070



Roca Sanitario, S.A.
Avda. Diagonal, 513
08029 Barcelona -
SPAIN
Teléfono 93 366 1200
Fax 93 419 4501
www.roca.es

Roca